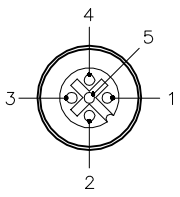
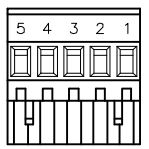
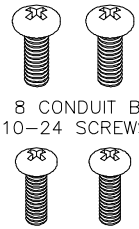
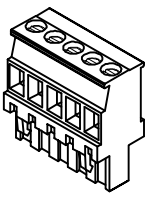
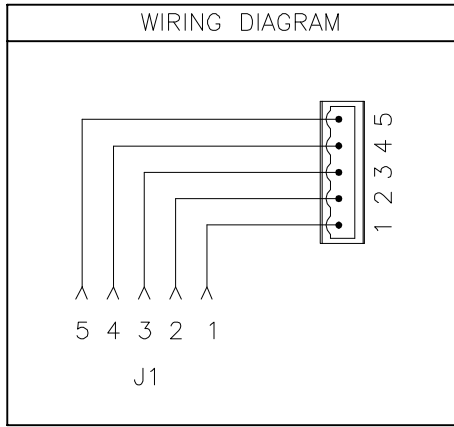
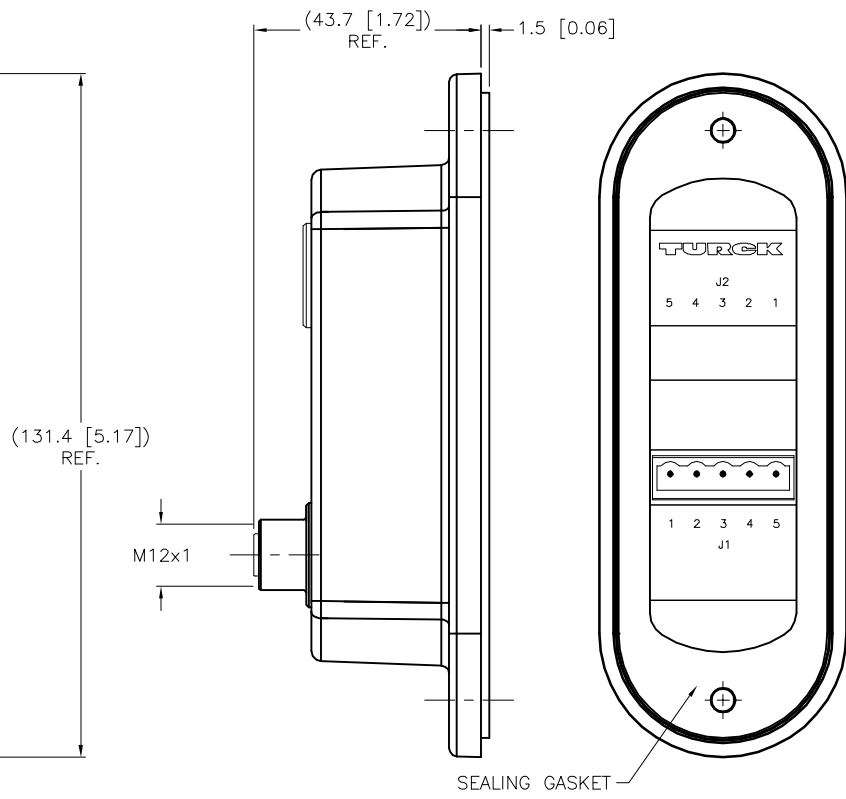
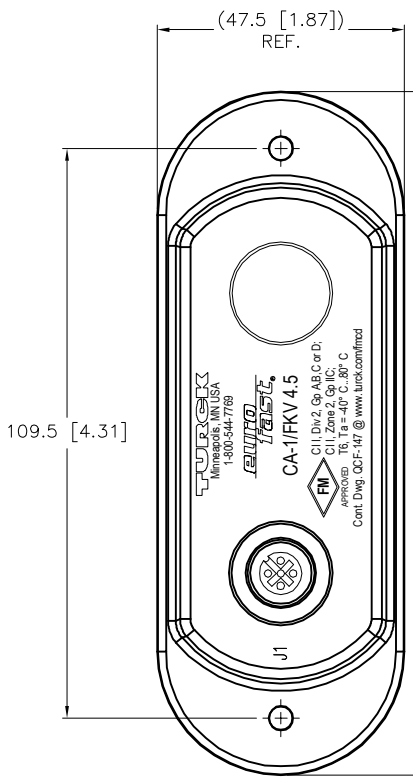
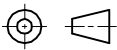



J1 CONNECTOR	TERMINAL BLOCK PLUG	COVER SCREWS INCLUDED	TERMINAL PLUG INCLUDED	SPECIFICATIONS	
		 <p>FORM 8 CONDUIT BODIES: 10-24 SCREWS</p> <p>MARK 9 CONDUIT BODIES: 8-32 SCREWS</p>		HOUSING MATERIAL/COLOR	NYLON 66 - 33% GLASS FILLED/BLACK
				RECEPTACLE HOUSING MATERIAL/FINISH	STAINLESS STEEL/PASSIVATED
				CONTACT CARRIER MATERIAL	TPU/BLACK
				CONTACT MATERIAL/PLATING	BRASS/GOLD
				OPERATING VOLTAGE	250 V
				OPERATING CURRENT	4.0 A PER CONDUCTOR
				PROTECTION CLASS to DIN 40050	IP 67 - ONLY WHEN RECEPTACLE IS COVERED WITH A PLUG OR CONNECTED
				OPERATING TEMPERATURE	-30°C to +80°C (-22°F to +176°F)



SOURCE DRAWING - FOR REFERENCE ONLY

RELATED DOCUMENTS 1. 2. 3. 4.	3RD ANGLE PROJECTION 	THIS DRAWING IS CONFIDENTIAL AND THE PROPERTY OF TURCK INC. USE OF THIS DOCUMENT WITHOUT WRITTEN PERMISSION IS PROHIBITED.		3000 CAMPUS DRIVE MINNEAPOLIS, MN 55441 1-800-544-7769 (763) 553-7300 (763) 553-0708 fax www.turck.us		
				DESCRIPTION CA-1/FKV 4.5		
		MATERIAL SEE SPECIFICATIONS	ALL DIMENSIONS DISPLAYED ON THIS DRAWING ARE FOR REFERENCE ONLY CONTACT TURCK FOR MORE INFORMATION	DRFT JBJ DATE 09/16/03	IDENTIFICATION NO. U0941-22	
		FINISH SEE SPECIFICATIONS		APVD DD SCALE 1=1.5	REV G	
UNIT OF MEASUREMENT MILLIMETER [INCH]		DO NOT SCALE THIS DRAWING		FILE: U0941-22 SHEET 1 OF 1		

G	UPDATED CLICHE	AS	10/21/25	81451
REV	DESCRIPTION	BY	DATE	ECO NO.